



144MHz FM TRANSCEIVER

# IC-2200H

SELECTABLE GREEN OR AMBER DISPLAY



## Stable 65W\* output and new digital features

### 65W\* of output power

A MOS-FET power amplifier provides 65W\* of stable output power. A one piece, aluminum chassis helps to keep the transceiver cool and provides durable long-lasting construction. (\* Depending on version.)

### Optional digital unit, UT-118

The optional UT-118 provides digitally modulated and demodulated clear voice and data communication at 4.8kbps. Store up to 6 of your own callsigns, and up to 6 more from other stations. Or instead of recording a callsign, record any message of up to 20 characters. You may then make a call by sending one of your callsigns or a recorded CQ message. The digital callsign squelch allows you to choose an incoming call selected by the callsign. When connected to an external GPS receiver\*, position information may be exchanged with other stations. (\* NMEA 0183 output and RS-232C interface are required.)

### Simple operation

The IC-2200H retains a familiar user interface to the IC-2100H. The large tuning dial provides easy access to active channels even without looking at the front panel. Secondary functions are easily recalled by holding the appropriate button.

### Dynamic Memory Scan (DMS)

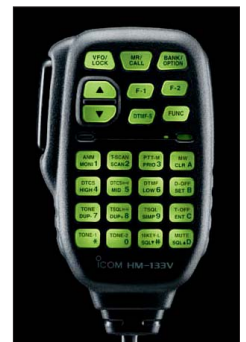
With a total of 207 alphanumeric memory channels, Icom's exclusive DMS system allows you to scan selected memory banks by simply adding and deleting bank links.

### CTCSS and DTCS operation standard

The IC-2200H contains 50 CTCSS and 104x2 DTCS encode/decode plus tone scan functions. The "pocket beep" feature gives you an audible and visual indicator of an incoming call.

### And more...

- 24 DTMF autodial memories
- DTMF code squelch and pager function with optional DTMF decoder, UT-108
- Weather channel with weather alert function (U.S.A. version only)
- FM narrow mode switchable (Depending on version)
- Selectable squelch delay
- Built-in 10dB squelch attenuator



HM-133V

Icom Inc.

## SPECIFICATIONS

## GENERAL

- Frequency range (Unit: MHz) :

Version	Transmit range	Receiver range
U.S.A.	144-148	118-174 <sup>*1</sup>
Europe	144-146	118-174 <sup>*2</sup>
Europe-1	144-146	144-146
Taiwan	144-146	144-146
Korea	144-146	144-146
Export	136-174 <sup>*1</sup>	118-174 <sup>*1</sup>

<sup>\*1</sup> Guaranteed range 144-148MHz

<sup>\*2</sup> Guaranteed range 144-146MHz

- Mode : FM, AM (Rx only)
- No. of memory channels : 207 (including 6 scan edges, and 1 call channel)
- Operating Temp. range : -10°C to +60°C; +14°F to +140°F
- Frequency stability : ±10ppm (-10°C to +60°C)
- Power supply requirements: 13.8V DC ±5%
- Current drain (at 13.8V DC) :
 

Tx High (65W)	15A
Rx Max. audio	1.0A
Standby	0.8A
- Antenna impedance : 50Ω (SO-239)
- Weight (approx.) : 1.25kg; 2.75lb

## TRANSMITTER

- Output power (\* approx.) : 65, 25\*, 10\*, 5\*W selectable
  - Korea version 50, 25\*, 10\*, 5\*W selectable
  - Taiwan version 24, 10\*, 5\*W selectable
- Maximum frequency deviation (wide/narrow) : ±5.0/±2.5kHz
- Spurious emissions : -70dBc typical.
- Microphone connector : 8-pin modular (600Ω)

## RECEIVER

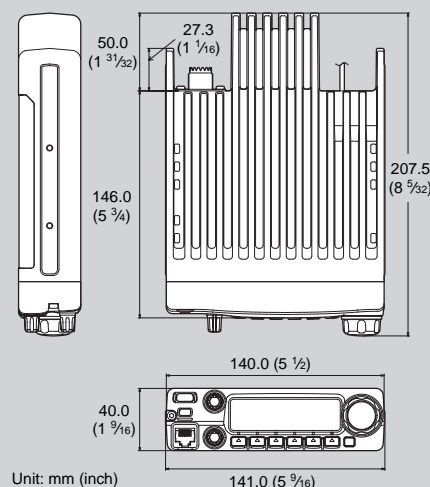
- Receive system : Double-conversion superheterodyne
- Intermediate frequencies : 1st 21.7MHz  
2nd 450kHz
- Sensitivity (at 12dB SINAD) : 0.133μV typical
- Squelch sensitivity : 0.100μV typical (threshold)
- Selectivity :
  - Wide : More than 6kHz at -6dB  
Less than 14kHz at -60dB  
More than 3kHz at -6dB  
Less than 9kHz at -55dB
  - Narrow : More than 60dB
- Spurious and image rejection : More than 60dB
- Audio output power : More than 2.4W at 10% distortion with an 8Ω load (at 13.8V DC)
- External speaker connector: 3-conductor 3.5 (d) mm (1/8")/8Ω

## Applicable U.S. Military Specifications

Icom makes rugged products that have been tested to and passed the following MIL-STD requirements and strict environmental standards.

Standard	MIL 810 C		MIL 810 D		MIL 810 E		MIL 810 F	
	Method	Proc.	Method	Proc.	Method	Proc.	Method	Proc.
Low Pressure	500.1	I	500.2	I, II	500.3	I, II	500.4	I, II
High Temp.	501.1	I	501.2	I, III	501.3	I, II	501.4	I, III
Temp. Shock	502.1	I	502.2	I, II	502.3	I, II	502.4-3	I, II
Solar Radiation	503.1	I	503.2	I	503.3	I	503.4	I
Humidity	505.1	I, II	505.2	II, III	505.3	II, III	505.4	I
Salt Fog	509.1	I	509.2	I	509.3	I	509.4	-
Dust Blowing	510.1	I	510.2	I	510.3	I	510.4	I
Vibration	514.2	VIII, X	514.3	I	514.4	I	514.5	I
Shock	516.2	I, II, V	516.3	I, IV	516.4	I, IV	516.5	I, IV

## D



## Supplied accessories (\* Depending on version)

- Remote control microphone, HM-133V\*
- Microphone hanger\* ● Mounting bracket kit
- DC power cable, OPC-1132 ● Spare fuse

All stated specifications are subject to change without notice or obligation.

## OPTIONS

## ■ MICROPHONE ACCESSORIES

- HM-133V REMOTE CONTROL MICROPHONE**  
Remote control microphone with keypad backlighting. Same as supplied.
- HM-118N HAND MICROPHONE**
- HM-118TN/TAN DTMF MICROPHONE**  
DTMF microphone with keypad backlighting.
- OPC-440/OPC-647 MIC EXTENSION CABLES**  
OPC-440: 5m (16.4ft); OPC-647: 2.5m (8.2ft)
- OPC-589 MIC ADAPTER CABLE**  
Allows you to connect a regular 8-pin microphone.

## ■ EXTERNAL SPEAKER

- **SP-10 EXTERNAL SPEAKER**
- **OPC-441 SPEAKER EXTENSION CABLE: 5.0m (16.4ft)**

## ■ INTERNAL UNITS

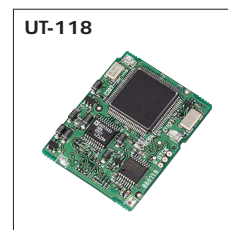
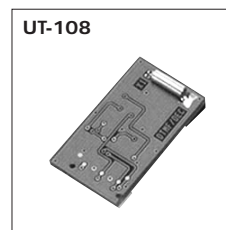
- **UT-108 DTMF DECODER UNIT**  
Provides DTMF decode capability with code squelch and pager operation.
- **UT-118 DIGITAL UNIT**  
Provides digital voice and data capability at 4.8kbps (Voice + Data).

## ■ OTHER ACCESSORIES

- **OPC-1132/OPC-347 DC POWER CABLES**  
OPC-1132: 3m (9.8ft); OPC-347: 7m (22.9ft)
- **MB-17A MOBILE MOUNTING BRACKET**  
One-touch mounting bracket.

## ■ CLONING CABLES AND SOFTWARE

- **CS-2200H CLONING SOFTWARE**  
+ **OPC-478/OPC-478U CLONING CABLES**  
For quick and easy programming of memories, etc.
- **OPC-474 CLONING CABLE** (between transceivers)



## Icom Inc.

1-1-32, Kamiminami, Hirano-ku, Osaka 547-0003, Japan Phone: +81 (06) 6793 5302 Fax: +81 (06) 6793 0013 URL: <http://www.icom.co.jp/world/index.html>

## Count on us!

## Icom America Inc.

2380 116th Avenue NE,  
Bellevue, WA 98004, U.S.A.  
Phone : +1 (425) 454-8155  
Fax : +1 (425) 454-1509  
E-mail : [sales@icomamerica.com](mailto:sales@icomamerica.com)  
URL : <http://www.icomamerica.com>

## Icom Canada

Glenwood Centre #150-6165 Highway 17,  
Delta, B.C., V4K 5B8, Canada  
Phone : +1 (604) 952-4266  
Fax : +1 (604) 952-0090  
E-mail : [info@icomcanada.com](mailto:info@icomcanada.com)  
URL : <http://www.icomcanada.com>

## Icom (Australia) Pty. Ltd.

A.B.N. 88 006 092 575  
Unit 1 / 103 Garden Road,  
Clayton VIC 3168 Australia  
Phone : +61 (03) 9549 7500  
Fax : +61 (03) 9549 7505  
E-mail : [sales@icom.net.au](mailto:sales@icom.net.au)  
URL : <http://www.icom.net.au>

## Icom New Zealand

146A Harris Road, East Tamaki,  
Auckland, New Zealand  
Phone : +64 (09) 274 4062  
Fax : +64 (09) 274 4708  
E-mail : [inquiries@icom.co.nz](mailto:inquiries@icom.co.nz)  
URL : <http://www.icom.co.nz>

## Icom (Europe) GmbH

Communication Equipment  
Himmelgeister Str. 100,  
D-40225 Düsseldorf, Germany  
Phone : +49 (0211) 346047  
Fax : +49 (0211) 333639  
E-mail : [info@icomeurope.com](mailto:info@icomeurope.com)  
URL : <http://www.icomeurope.com>

## Icom Spain S.L.

Ctra. de Gracia a Manresa Km. 14,750  
08190 Sant Cugat del Valles Barcelona, Spain  
Phone : +34 (93) 590 26 70  
Fax : +34 (93) 589 04 46  
E-mail : [icom@icomspain.com](mailto:icom@icomspain.com)  
URL : <http://www.icomspain.com>

## Icom (UK) Ltd.

Unit 9, Sea St., Herne Bay,  
Kent, CT6 8LD, U.K.  
Phone : +44 (01227) 741741  
Fax : +44 (01227) 741742  
E-mail : [info@icomuk.co.uk](mailto:info@icomuk.co.uk)  
URL : <http://www.icomuk.co.uk>

## Icom France Sa

Zac de la Plaine, 1,  
Rue Brindejone des Moulinais BP 5804,  
31505 Toulouse Cedex, France  
Phone : +33 (5) 61 36 03 03  
Fax : +33 (5) 61 36 03 00  
E-mail : [icom@icom-france.com](mailto:icom@icom-france.com)  
URL : <http://www.icom-france.com>

## Icom Polska

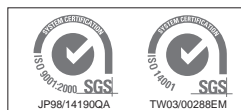
Spot, 3 maja 54, Poland  
Phone : +48 (58) 550 7135  
Fax : +48 (58) 551 0484  
E-mail : [icompolska@icompolska.com.pl](mailto:icompolska@icompolska.com.pl)  
URL : <http://www.icompolska.com.pl>

## Asia Icom Inc.

6F No. 68, Sec. 1 Cheng-Teh Road,  
Taipei, Taiwan, R.O.C.  
Phone : +886 (02) 2559 1899  
Fax : +886 (02) 2559 1874  
E-mail : [sales@asia-icom.com](mailto:sales@asia-icom.com)  
URL : <http://www.asia-icom.com>

## Beijing Icom Ltd.

10C07, Long Silver Mansion, No.88, Yong Ding  
Road, Haidian District, Beijing, 100039, China  
Phone : +86 (010) 5889 5391/5392/5393  
Fax : +86 (010) 5889 5395  
E-mail : [bjicom@bjicom.com](mailto:bjicom@bjicom.com)  
URL : <http://www.bjicom.com>



Icom Inc. (Japan), is an ISO 9001 and ISO 14001 certification acquired company.

Your local distributor/dealer: