



## Pre-release Information

CLASS B AIS TRANSPONDER

# MA-500TR

## Fully capable Class B AIS transponder for pleasure craft and fishing boats



### Class B AIS transponder for Non-SOLAS vessels

- 2 W output power
- Dual channel AIS receiver

### Full dot-matrix display visually shows real-time vessel traffic information

- PC and other marine network equipment is not required (But can be connected)

### IPX7 waterproof protection

- 1m depth for 30 minutes (except connectors)

### 3 lines of NMEA0183 Input/Output

### GPS receiver comes with MA-500TR

### Collision-risk management functions

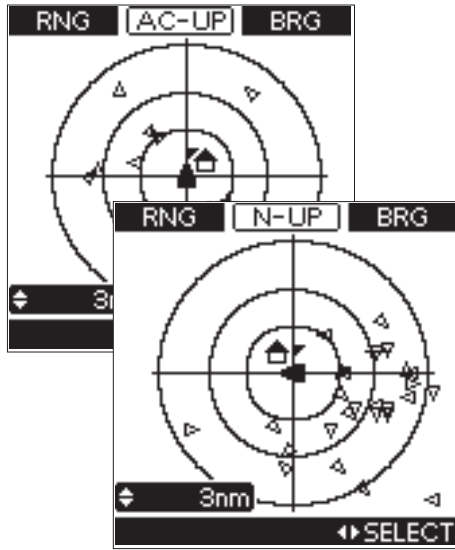
- CPA (Closest Point of Approach) and TCPA (Time to CPA)
- Target list and dangerous list
- Collision alarm
- External alarm connection to emit a collision alarm from external audio equipment on the deck or tower

### Integration with Icom VHF radios (IC-M604 or IC-M504\*)

- DSC button allows you to make a DSC individual call to a selected vessel instantly
- Matching design with Icom radios

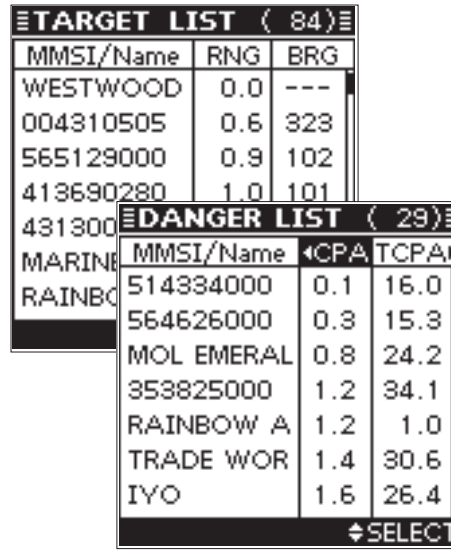
\* IC-M604/M504: Compatible new version required.

### Plotter screens



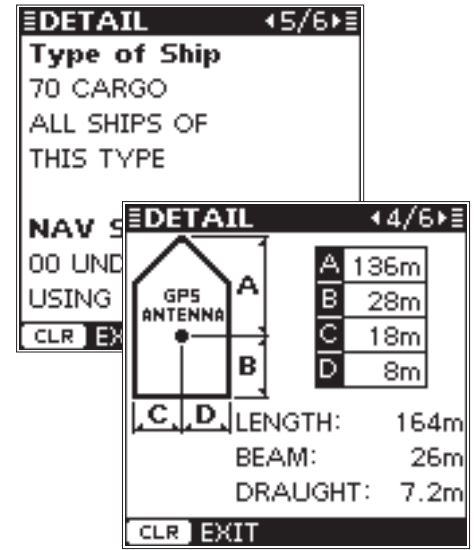
- North up and Auto course up selectable
- CPA and TCPA vessel icons ( ) will blink on the display

### Target list and Dangerous list screens



- Dangerous list provides a list of vessels within CPA (6NM) and TCPA (60 minutes) range and can be sorted by CPA or TCPA

### Detail screens



- Shows target vessel's information

## SPECIFICATIONS

### GENERAL

- Frequency coverage : 161.975, 162.025MHz (default)  
156.025-162.025MHz
- Type of emission : 16K0GXW (GMSK)
- Antenna impedance : 50Ω
- Usable temperature range : -20°C to +60°C  
; -4°F to +140°F
- Power supply requirement: 12.0V DC (10.8-15.6V)
- Current drain Tx : 1.5A  
Rx : 0.7A
- Dimensions (W×H×D) : 165×110×123 mm;  
(projections not included) 6 1/2×4 1 1/2×4 2 7/32 in
- Weight (approx.) : 1000g; 2.2lb

### RECEIVER

- Sensitivity : -110dBm (AIS/DSC)
- Adjacent Ch selectivity : More than 70dB (AIS/DSC)
- Spurious response : More than 74dB (AIS)  
More than 70dB (DSC)
- Intermodulation : More than 65dB (AIS/DSC)
- Conducted spurious emission : Less than -57dBm (AIS)

Measurements made in accordance with IEC 62287-1.

### TRANSMITTER

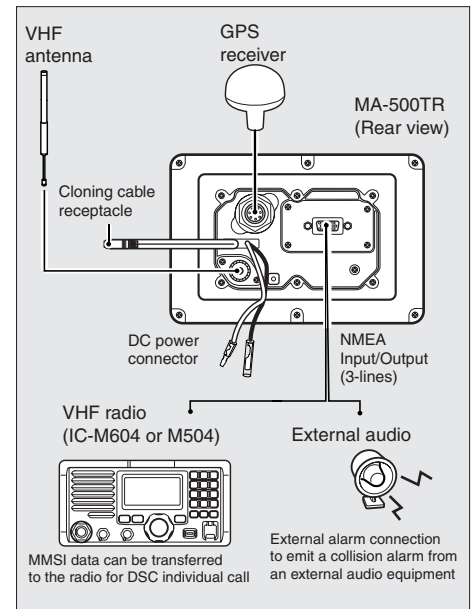
- Transmit power : 2W
- Conducted spurious emission : Less than -36dBm

### DATA INTERFACE

- Data Input Interface : IEC 61162-1:2000 (4,800bps)  
IEC 61162-2 (38,400bps)  
Sentence format : RMC, GGA, GSA, GSV, DSC and VTG  
Input level (at 2V applied) : Less than 2mA
- Data Output Interface : IEC 61162-1:2000 (4,800bps)  
IEC 61162-2 (38,400bps)  
Sentence format : VDM, VDO, ACA, ACS, ALR, TXT, GGA, GSA, GSV, RMC and VTG  
Output level : 5V, 40mA Max.  
RS-422 balanced
- Rating of alert terminal : DC24V 500mA max.

### MA-500TR contents:

- AIS transponder
- GPS receiver with 10m cable
- NMEA connector cable
- Mounting bracket kits
- DC power cable



This device has not been approved by the appropriate authorities in each country. This device may not be sold or leased, or be offered for sale or lease, until approval has been obtained.

All stated features, appearances, screen shots and specifications may be subject to change without notice.

Icom, Icom Inc. and the Icom logo are registered trademarks of Icom Incorporated (Japan) in the United States, the United Kingdom, Germany, France, Spain, Russia, Japan and/or other countries.

All other trademarks are the properties of their respective holders.

**Icom Inc.** 1-1-32, Kami-minami, Hirano-ku, Osaka 547-0003, Japan Phone: +81 (06) 6793 5302 Fax: +81 (06) 6793 0013 [www.icom.co.jp/world](http://www.icom.co.jp/world)

**Count on us!**

#### Icom America Inc.

2380 116th Avenue NE,  
Bellevue, WA 98004, U.S.A.  
Phone: +1 (425) 454-8155  
Fax: +1 (425) 454-1509  
E-mail: [sales@icomamerica.com](mailto:sales@icomamerica.com)  
URL: <http://www.icomamerica.com>

#### Icom New Zealand

146A Harris Road, East Tamaki,  
Auckland, New Zealand  
Phone: +64 (09) 274 4062  
Fax: +64 (09) 274 4708  
E-mail: [inquiries@icom.co.nz](mailto:inquiries@icom.co.nz)  
URL: <http://www.icom.co.nz>

#### Icom (UK) Ltd.

Blacksale House, Altira Park,  
Herne Bay, Kent, CT6 6GZ, U.K.  
Phone: +44 (0)1227 741741  
Fax: +44 (0)1227 741742  
E-mail: [info@icomuk.co.uk](mailto:info@icomuk.co.uk)  
URL: <http://www.icomuk.co.uk>

#### Asia Icom Inc.

6F No. 68, Sec. 1 Cheng-Teh Road,  
Taipei, Taiwan, R.O.C.  
Phone: +886 (02) 2559 1899  
Fax: +886 (02) 2559 1874  
E-mail: [sales@asia-icom.com](mailto:sales@asia-icom.com)  
URL: <http://www.asia-icom.com>

Your local distributor/dealer:

#### Icom Canada

Glenwood Centre #150-6165 Highway 17,  
Delta, B.C., V4K 5B8, Canada  
Phone: +1 (604) 952-4266  
Fax: +1 (604) 952-0090  
E-mail: [info@icomcanada.com](mailto:info@icomcanada.com)  
URL: <http://www.icomcanada.com>

#### Icom (Europe) GmbH

Communication Equipment  
Auf der Krautweide 24  
65812 Bad Soden am Taunus, Germany  
Phone: +49 (6196) 76685-0  
Fax: +49 (6196) 76685-50  
E-mail: [info@icomeurope.com](mailto:info@icomeurope.com)  
URL: <http://www.icomeurope.com>

#### Icom France s.a.s.

Zac de la Plaine,  
1 Rue Brindjonnec des Moulinais, BP 45804,  
31505 Toulouse Cedex 5, France  
Phone: +33 (5) 61 36 03 03  
Fax: +33 (5) 61 36 03 00  
E-mail: [icom@icom-france.com](mailto:icom@icom-france.com)  
URL: <http://www.icom-france.com>

#### Icom (Australia) Pty. Ltd.

Unit 1 / 103 Garden Road,  
Clayton, VIC 3168 Australia  
Phone: +61 (03) 9549 7500  
Fax: +61 (03) 9549 7505  
E-mail: [sales@icom.net.au](mailto:sales@icom.net.au)  
URL: <http://www.icom.net.au>

#### Icom Spain S.L.

Ctra. Rubi, No. 88 "Edificio Can Castanyer"  
Bajos A 08174, Sant Cugat del Valles,  
Barcelona, Spain  
Phone: +34 (93) 590 26 70  
Fax: +34 (93) 589 04 46  
E-mail: [icom@icomspain.com](mailto:icom@icomspain.com)  
URL: <http://www.icomspain.com>

#### Icom Polska

81-850 Sopot, ul. 3 Maja 54, Poland  
Phone: +48 (58) 550 7135  
Fax: +48 (58) 551 0484  
E-mail: [icompolksa@icompolksa.com.pl](mailto:icompolksa@icompolksa.com.pl)  
URL: <http://www.icompolksa.com.pl>